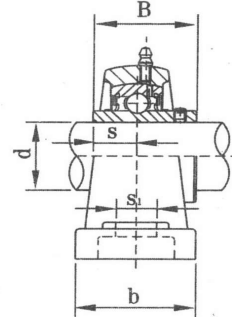
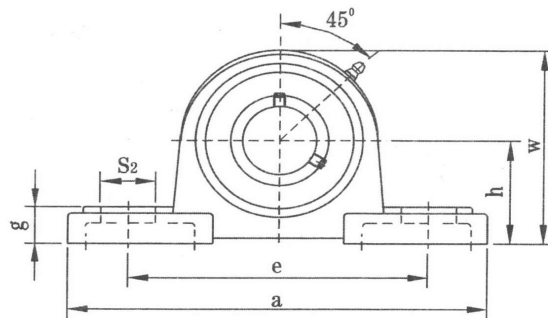


STAINLESS STEEL BEARING UNITS



SUCP200



Bearing Unit No.	Bore Dia		Dimensions (mm)										Bearing No.	Housing No.	Weight (kg)
	d		h	a	e	b	S ₁	S ₂	g	W	S	B			
	in	mm													
SUCP201		12											SUC201		
SUCP201-8	1/2	15	33.3	127	96	36	13	19	13	60	12.7	31	SUC201-8	SP203	0.75
SUCP202	5/8	17											SUC202		
SUCP202-10	11/16	20											SUC202-10		
SUCP203		20	33.3	127	95	38	13	19	14	65	12.7	31	SUC203	SP204	0.73
SUCP203-11	3/4	25											SUC203-11		
SUCP204		25											SUC204		
SUCP204-12	7/8	30	36.5	140	105	38	13	19	15	71	14.3	34.1	SUC204-12	SP205	0.91
SUCP205	15/16	35											SUC205		
SUCP205-14	1	42.9											SUC205-14		
SUCP205-15		42.9											SUC205-15	SP206	1.32
SUCP205-16	1-1/16	48											SUC205-16		
SUCP206	1-1/8	42.9											SUC206		
SUCP206-17	1-1/8	42.9											SUC206-17	SP207	1.72
SUCP206-18	1-3/16	47.6											SUC206-18		
SUCP206-19	1-1/4	47.6											SUC206-19		
SUCP206-20		47.6											SUC206-20	SP208	2.14
SUCP207	1-1/4	49.2											SUC207		
SUCP207-20	1-5/16	49.2											SUC207-20		
SUCP207-21	1-3/8	49.2											SUC207-21	SP209	2.45
SUCP207-22	1-7/16	54.0											SUC207-22		
SUCP207-23		54.0											SUC207-23		
SUCP208	1-1/2	40	49.2	184	137	54	17	23	18	98	19.0	49.2	SUC208	SP210	3.10
SUCP208-24	1-9/16	50											SUC208-24		
SUCP208-25		50											SUC208-25		
SUCP209	1-5/8	45	54.0	190	146	54	17	23	20	106	19.0	49.2	SUC209	SP211	3.85
SUCP209-26	1-11/16	55											SUC209-26		
SUCP209-27	1-3/4	63.5											SUC209-27		
SUCP209-28		63.5											SUC209-28	SP212	5.10
SUCP210	1-13/16	60	57.2	206	159	60	20	25	21	114	19.0	51.6	SUC210		
SUCP210-29	1-7/8	60											SUC210-29		
SUCP210-30	1-15/16	60											SUC210-30	SP213	6.26
SUCP210-31	2	63.5											SUC210-31		
SUCP210-32		63.5											SUC210-32		
SUCP211	2	55	63.5	219	171	60	20	25	23	126	22.2	55.6	SUC211	SP214	6.90
SUCP211-32	2-1/16	60											SUC211-32		
SUCP211-33	2-1/8	60											SUC211-33		
SUCP211-34	2-3/16	60											SUC211-34	SP215	7.62
SUCP211-35		60											SUC211-35		
SUCP212	2-1/4	60	69.8	241	184	70	20	25	25	138	25.4	65.1	SUC212		
SUCP212-36	2-5/16	65											SUC212-36	SP216	9.03
SUCP212-37	2-3/8	65											SUC212-37		
SUCP212-38	2-7/16	65											SUC212-38		
SUCP212-39		65											SUC212-39	SP217	11.28
SUCP213	2-1/2	70	76.2	264	203	70	25	30	27	151	25.4	65.1	SUC213		
SUCP213-40	2-9/16	70											SUC213-40		
SUCP213-41		70											SUC213-41	SP218	13.45
SUCP214	2-5/8	70	79.4	266	210	72	25	30	27	157	30.2	74.6	SUC214		
SUCP214-42	2-11/16	75											SUC214-42		
SUCP214-43	2-3/4	75											SUC214-43	SP215	7.62
SUCP214-44		75											SUC214-44		
SUCP215	2-13/16	75	82.6	275	217	74	25	30	28	163	33.3	77.8	SUC215		
SUCP215-45	2-7/8	80											SUC215-45	SP216	9.03
SUCP215-46	2-15/16	80											SUC215-46		
SUCP215-47	3	80											SUC215-47		
SUCP215-48		80											SUC215-48	SP217	11.28
SUCP216	3-1/8	85	88.9	292	232	78	25	30	30	175	33.3	82.6	SUC216		
SUCP216-50		85											SUC216-50		
SUCP217	3-1/4	85	95.2	310	247	83	25	30	32	187	34.1	85.7	SUC217	SP218	13.45
SUCP217-52		90											SUC217-52		
SUCP218		90	101.6	327	262	88	27	36	33	200	39.7	96	SUC218		
SUCP218-56	3-1/2												SUC218-56		